



VIRTUAL TEAM BASKETBALL SCORESHEET & PROCEDURES

The Virtual Basketball Team Challenge has three skills tests per player per team. The Team Captain for each team reports the scores for the team. Medals will be awarded by age/gender category. Tie breaker will be the team with the best shooting challenge score.

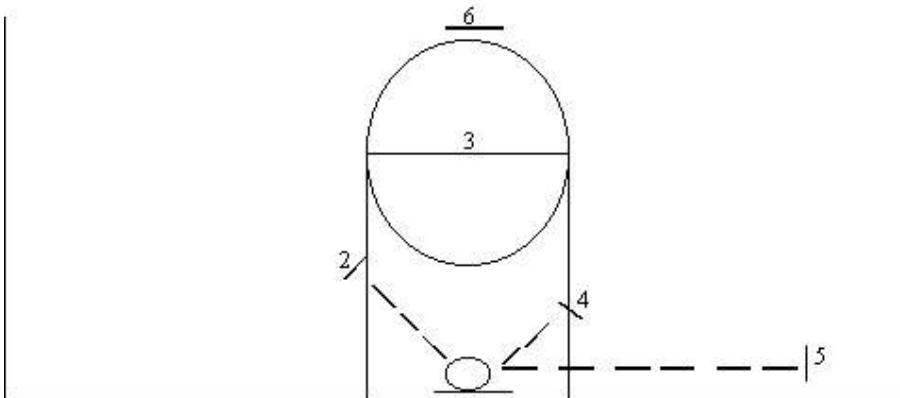
Equipment:

- 10" Basketball goal
- Basketball
- Tape measure
- Chalk, tape, or other appropriate distance marker
- Scorecard and clipboard or something to bear down on
- Pencil or Pen

Shooting Challenge:

Same challenge/competition as the Senior Games Basketball Shooting Activity. A series of shots as follows (See diagram for corresponding shot numbers). Total possible points is 18 points

Shot 1	Shot 2	Shot 3	Shot 4	Shot 5	Shot 6	Total
Lay up (either side)	9' shot (from the center of the basket)	Free Throw (15' from the backboard)	6' shot (from the center of the basket)	10' shot (from the center of the basket)	Top of Circle (19' 9" from the center of the basket)	
□ □ □	□ □ □	□ □ □	□ □ □	□ □ □	□ □ □	



VIRTUAL TEAM BASKETBALL

Free Throw Challenge

Each player gets two rounds with 10 shots in each round for a total of 20 shots per player. 1 point per shot made. The player is lined up with the center of the goal. Shots should be made consecutively with a break in-between rounds.

Round 1 Free throws, note shots made:

Total score is number made x 2

1	2	3	4	5	6	7	8	9	10	Round 1 Score

Round 2 Free throws, note shots made:

Total score is number made x 2

1	2	3	4	5	6	7	8	9	10	Round 2 Score

Free Throw Challenge Total Score	
---	--

Three point Challenge

The distance for the 3-point line is 20 feet and 9 inches from the center of the goal (college line).

Each player gets two rounds with five shots in each round for a total of 10 shots. The player may shoot from any point along the 3-point line as long as it meets the distance requirement of 20'9" from the center of the goal. Shots 1-4 in each round will allow for 1 point per successful shot, the 5th shot (The Money Shot) is worth 3 points for a total of 14 possible points per player for this competition.

Round 1 3 pt shots

1 1 point	2 1 point	3 1 point	4 1 point	5 3 points	Round 1 Score

Round 2 3 pt shots

1 1 point	2 1 point	3 1 point	4 1 point	5 3 points	Round 2 Score

3 Point Challenge Total Score	
--------------------------------------	--

Total Individual Score (all three challenges combined)	
---	--



**NORTH CAROLINA
SENIOR GAMES**

Virtual Basketball Team Captain Summary Sheet

Use this summary sheet to tally your player scorecards and prepare to turn in your team's scores.

Players	Shooting Challenge (18 possible points)	Free Throw Challenge (20 possible points)	Three-Point Challenge (14 possible points)	Total Score
1.				
2.				
3.				
4.				
5.				
6.				
7.				
8.				
9.				
10.				

**TEAM
TOTAL**

--